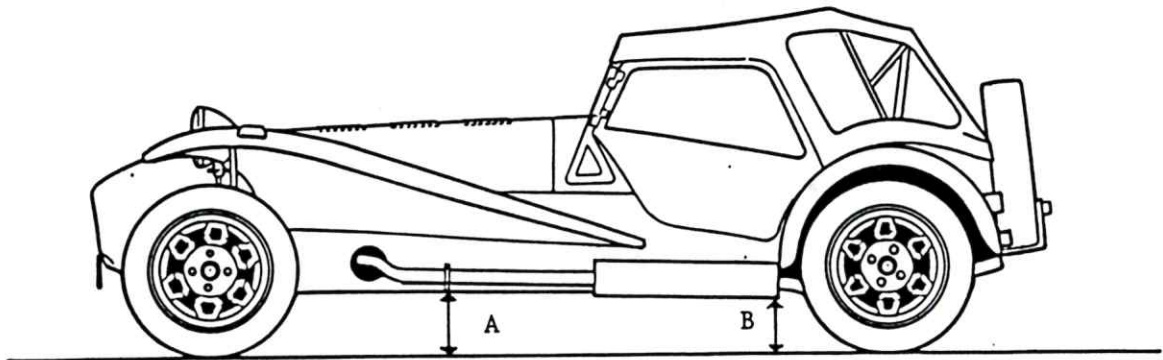


RIDE HEIGHT AND GEOMETRY SETTINGS



A - 140mm (MEASURED AT FORWARD EDGE OF FLOOR PAN TO THE GROUND)

B - 155mm (MEASURED JUST IN FRONT OF THE REAR WHEEL ARCH)

THESE TO BE MEASURED WITH A TOLERANCE + OR - 10mm BUT ENSURE THAT THE REAR RIDE HEIGHT IS ALWAYS APPROXIMATELY 15mm HIGHER THAN THE FRONT.

	FRONT	REAR
TOE-IN	0.0°	0.0°
CAMBER	0.5° - 1.0° NEG	0.5° - 1.0° NEG
CASTOR	5.0° - 7.5° (OPTIMUM 6.5°)	N.A.
KING PIN INCLINATION	11.0° - 13.0°	N.A.

Fig. 14.12